

# FIBER FRICTIONS

## FOR CAR PULLERS & BELT TRIPPERS

Resurfacing old friction drives may not be the answer for slippage in car pullers and belt trippers. In most cases, replacing with new fiber frictions and fillers is the most economical solution to slippage problems. Our fiber frictions and fillers are available in a wide range of sizes and configurations. They are made to the same specifications as original equipment.



1.800 KC SUPPLY (527.8775)  
www.kcsupply.com

Phone 816.753.7676

Fax 816.753.0444

email: [kcsupply@kcsupply.com](mailto:kcsupply@kcsupply.com)

# SPEEDLINE PORTABLE TROUGH BELT CONVEYOR

- FOR USE IN CONVEYING LARGE VOLUMES OF DRY GRANULAR MATERIALS.

MILD STEEL FRAME WITH CORROSION RESISTANT PAINT  
OR T304 STAINLESS STEEL. (20' TO 50' LENGTHS)

3 PH. TEFC MOTOR WITH JACKSHAFT  
TYPE DRIVE (SHIELDED).

12" OR 16" WIDE PATTERN  
TOP BELT WITH STAINLESS  
STEEL LACING. STANDARD  
BELT SPEED IS 600 FPM.

TOWING HITCH

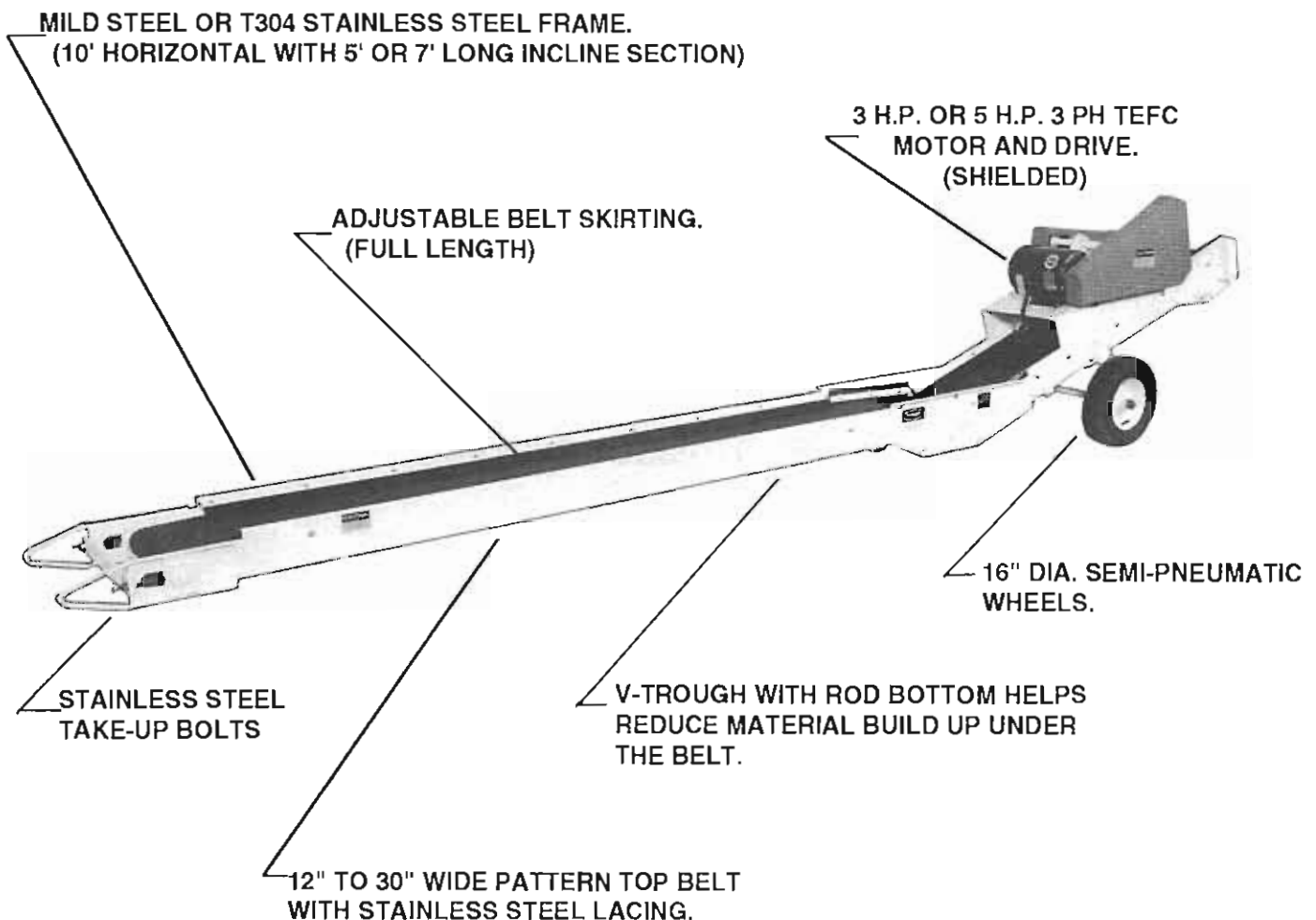
CABLE/WINCH TYPE LIFT IS BALANCED  
FOR EASY MOVEMENT AND MOUNTED  
ON AUTOMOTIVE WHEELS.

U-TROUGH FRAME WITH ROD BOTTOM AND COMPLETE  
TOP COVER HELPS REDUCE BELT WEAR.

- VARIOUS ACCESSORIES AVAILABLE TO MEET YOUR REQUIREMENTS.

# XLI SERIES SELF-POWERED INCLINE CAR UNLOADER

- OVER TRACK UNDER CAR PORTABLE BELT CONVEYOR DESIGNED TO UNLOAD BULK MATERIALS FROM HOPPER BOTTOM RAIL CARS OR HOPPER BOTTOM TRUCKS AND WAGONS AND DISCHARGE INTO BUCKET ELEVATOR LEGS OR INCLINE CONVEYORS.



# Bag Handling



**BAG KICKERS**



**CLOSING CONVEYORS**

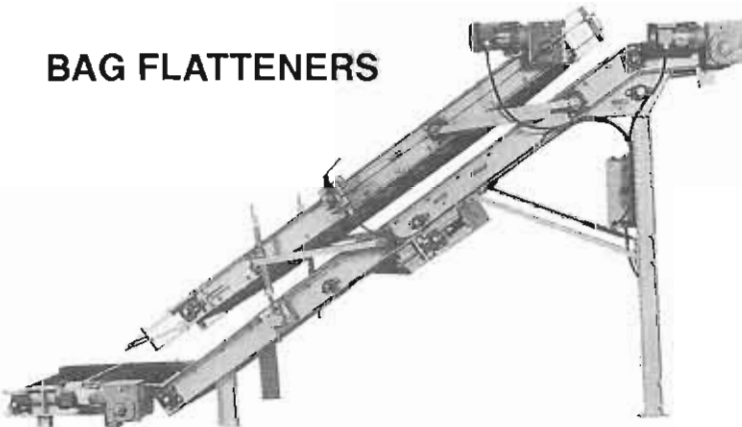


**BAG TURNERS**



**AUTOMATIC CHECKWEIGH  
AND  
BAG REJECT SYSTEMS**

**BAG FLATTENERS**

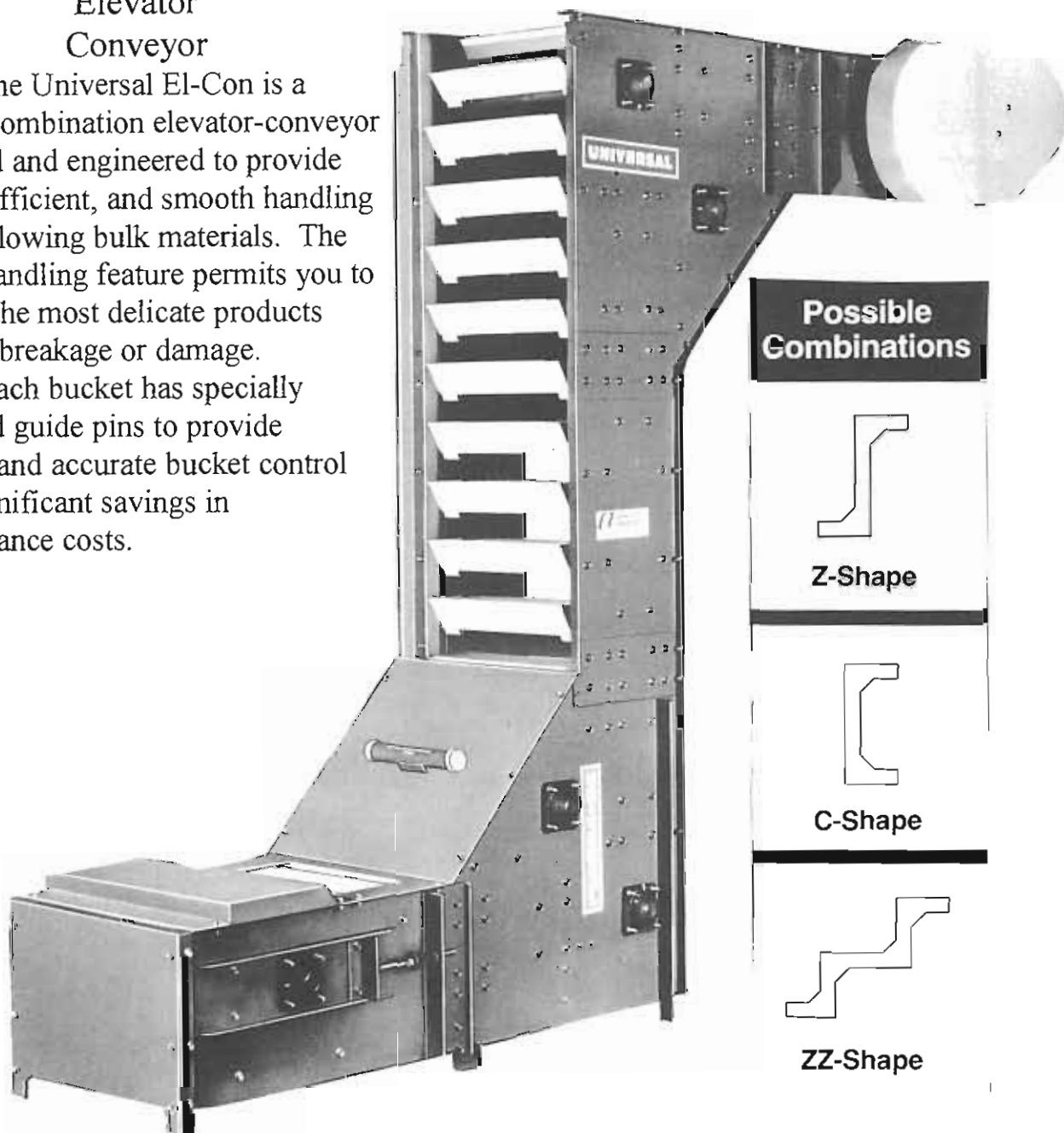


# UNIVERSAL EL-CON

## Combination Elevator Conveyor

The Universal El-Con is a unique combination elevator-conveyor designed and engineered to provide gentle, efficient, and smooth handling of free-flowing bulk materials. The gentle handling feature permits you to convey the most delicate products without breakage or damage.

Each bucket has specially designed guide pins to provide durable and accurate bucket control with significant savings in maintenance costs.



Plastic, steel, and stainless steel buckets are available (4 sizes). The El-Con feature the latest in modular-type construction. With bolt-on sections, you can quickly install the combination elevator-conveyor. At the same time, you can easily add sections for future needs.

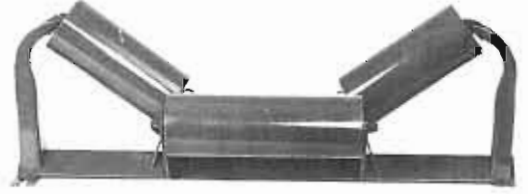
The El-Con is available in horizontal lengths up to 150 ft or vertical heights up to 80 ft. For additional lengths or heights, consult KC Supply.



# Basic Styles of Idlers



Troughing Idler



Offset Center Roll Idler



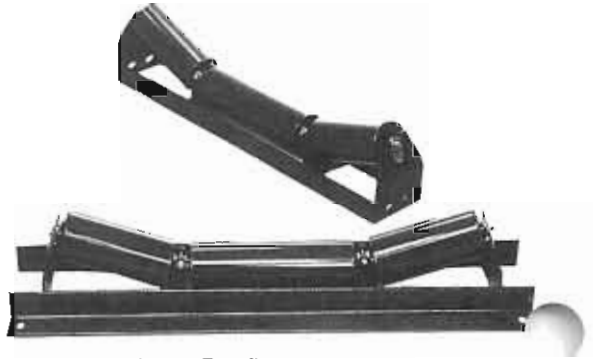
Return Belt Idler



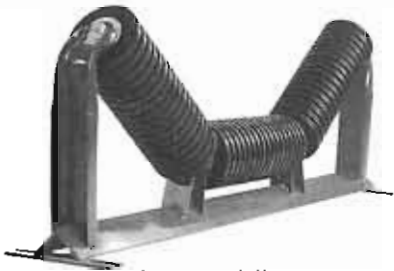
Feeder/Picking Idler



Flat Carrier Idler



Low Profile Idlers



Impact Idler



Live Shaft Rollers



Rubber Cushion Flat Carrier



Self-Aligning Idler



Side Guide Idlers



Stub Rollers



Self-Aligning Return Idler