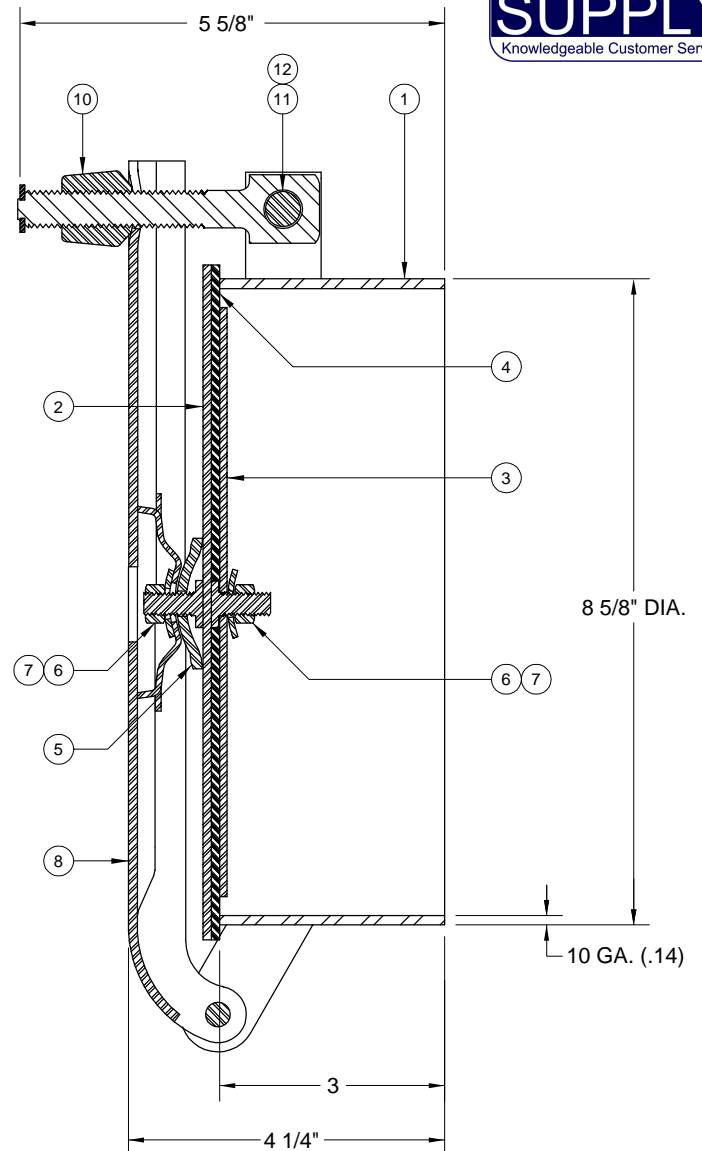
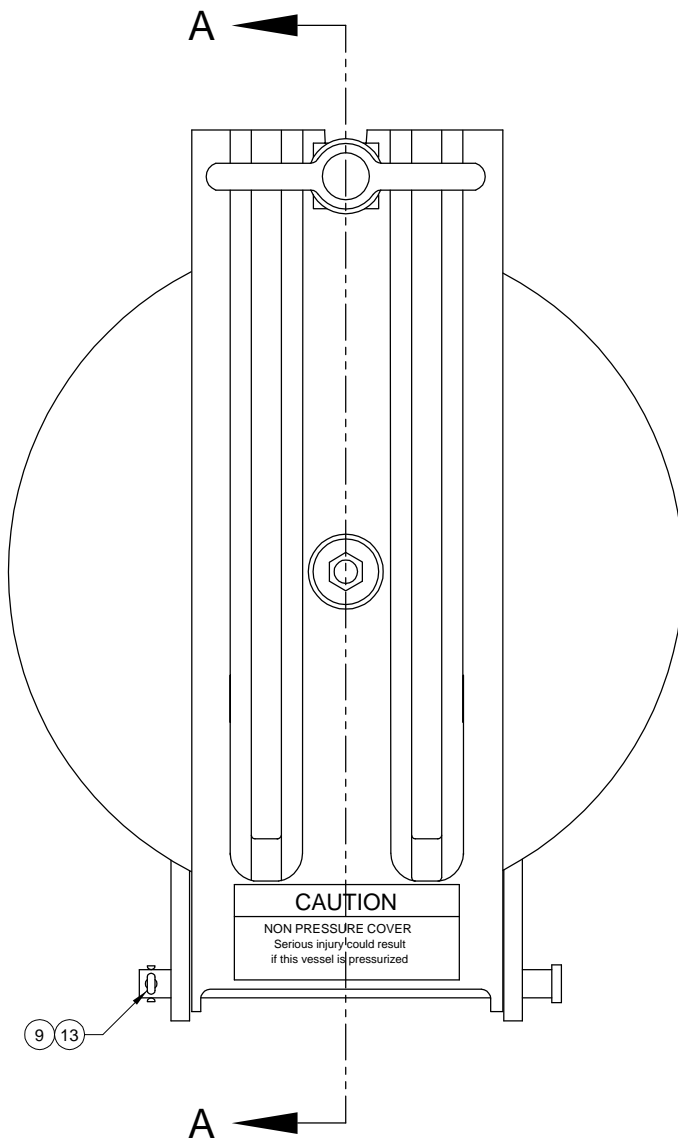


LW1110 8" FILL COVER ASSEMBLY



SECTION A-A

ITEM	PART NUMBER	DESCRIPTION	QTY.
1	3946	WELD RING ASSY (STEEL)	1
2	1634	FILL COVER ASSY (STEEL)	1
3	1639	GASKET RETAINER (STEEL)	1
4	1641	GASKET (BUNA)	1
5	1101	COVER WASHER (PLATED)	1
6	1117	FORMED WASHER (PLATED)	2
7	1104	HEX NUT	2
8	3947	STRONGBACK ASSY (STEEL)	1
9	2106	CLEVIS PIN (PLATED)	1
10	2627	STUD ASSY (PLATED)	1

ITEM	PART NUMBER	DESCRIPTION	QTY.
11	3952	CLEVIS PIN (PLATED)	1
12	1020	PAL NUT (PLATED)	1
13	1045	COTTER PIN (PLATED)	1

ALTERNATE SEALING MEDIA

PART NUMBER	DESCRIPTION
4739	GASKET (WHITE NEOPRENE)
2658	GASKET (HIGH TEMP.)
10081	GASKET (EPDM)

