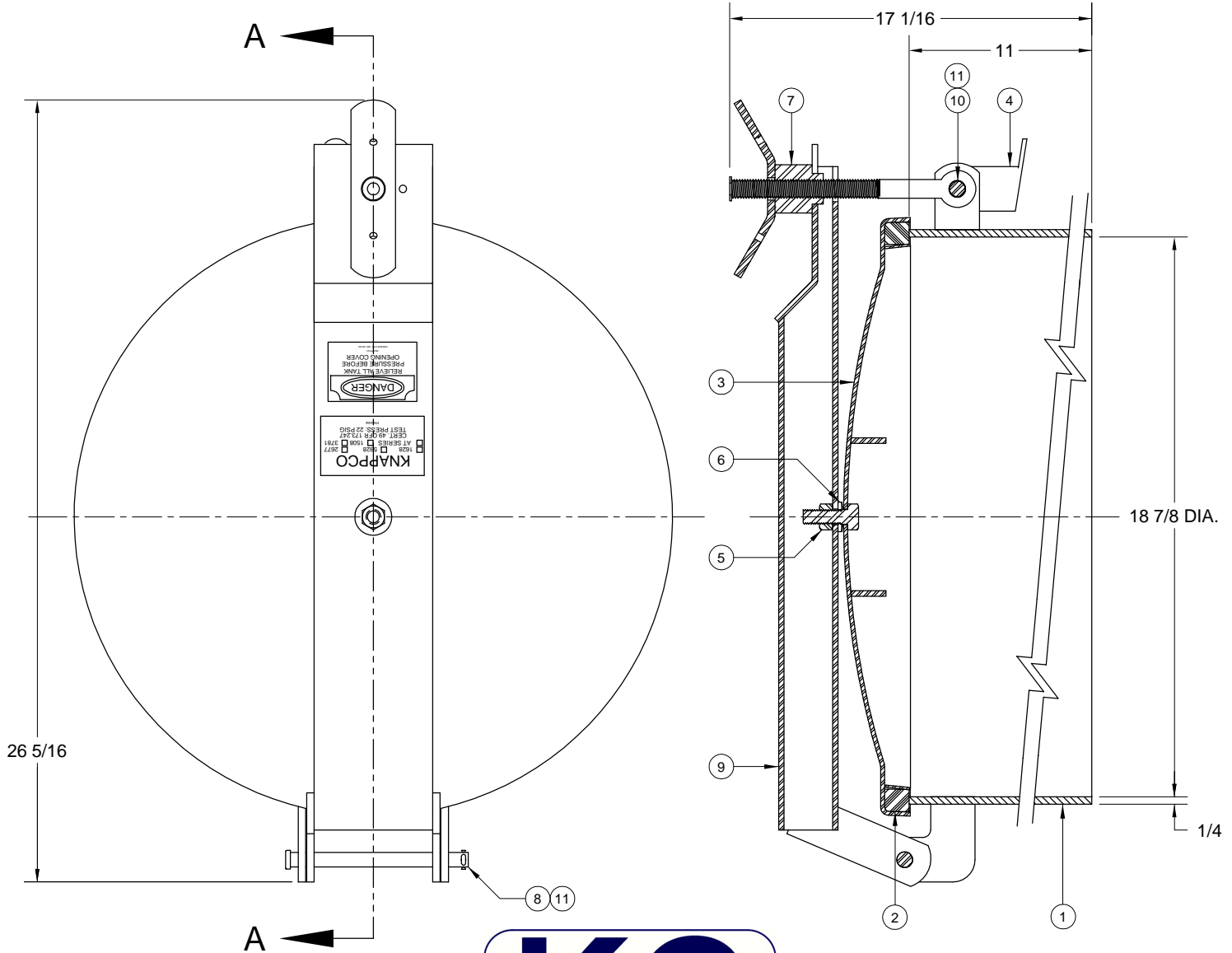


AT1110 18 7/8" MANHOLE ASSEMBLY



SECTION A-A



ITEM	PART NUMBER	DESCRIPTION	QTY.
1	1490	WELD RING ASSY (STEEL)	1
2	1507	GASKET (BRAIDED TEFLON) ¹	1
3	1510	COVER WELDMENT (STEEL) ¹	1
4	1539	SWING LUG (STEEL) ¹	1
5	3077	LOCK NUT (PLATED) ¹	1
6	1043	WASHER (PLATED) ¹	1

ITEM	PART NUMBER	DESCRIPTION	QTY.
7	1531	WING NUT ASSY (ST. / S.S.) ¹	1
8	1042	CLEVIS PIN (PLATED) ¹	1
9	1524	CROSS ARM ASSY. (STEEL) ¹	1
10	5677	CLEVIS PIN (PLATED) ¹	1
11	1756	COTTER PIN (PLATED) ¹	2

1 - Included in 1508

