

ONE-TOUCH INSPECTION DOOR®



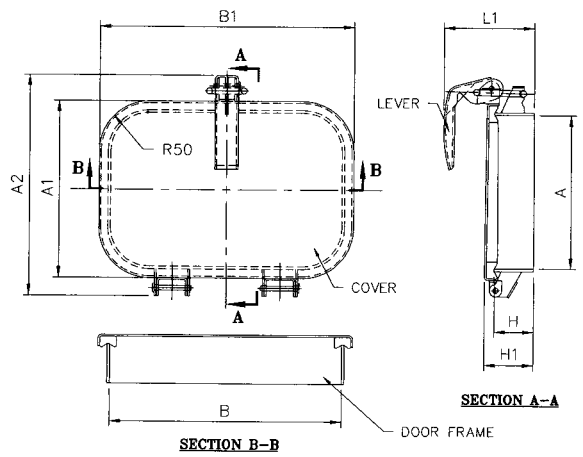
Fast, Reliable Line Access

Our prefabricated steel doors seal out dust and rain but permit line inspections simply by lifting the handle — with no bolts to loosen and no covers to misplace. A variety of sizes and styles are in-stock and ready-to-go for quick and easy installation at the jobsite. You can't build better access to your lines.

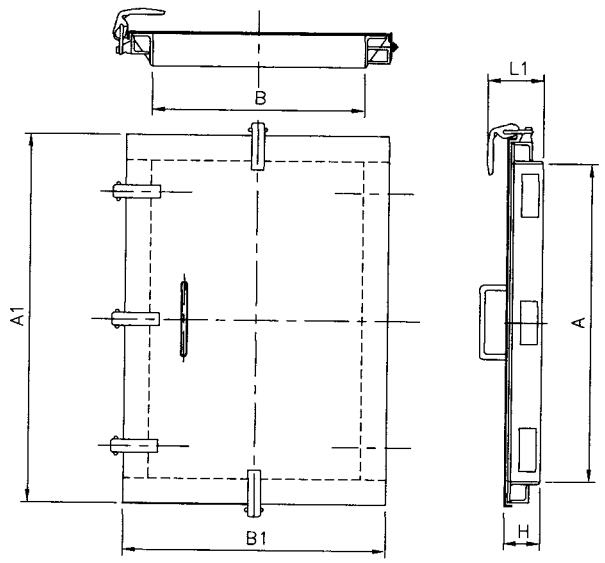
- Easy to install
- Easy to open and close
- Durable and trouble-free
- Dust- and rain-tight



Standard Model



Large Model



ONE-TOUCH INSPECTION DOOR® Standard Model Specifications



Material Thickness

Frame: 10 gauge

Cover: 13 gauge

SG = white, but not food grade rated
HT = white, but not food grade rated

Component Composition

Model Number	Body Material	Handle Material
P Series	Mild steel	Chrome-plated
Q Series	304 Stainless	Chrome-plated
R Series	304 Stainless	304 Stainless
QS Series*	316L Stainless	Chrome-plated
RS Series*	316L Stainless	304 Stainless

Gasket Options

Polyethylene (SG)
Epichlorhydrin (ECH)
Silicon Rubber (HT)

Temperature Range

-95° F to 175° F
-40° F to 275° F
-67° F to 400° F

*Call for availability.

Standard ONE-TOUCH INSPECTION DOOR Specifications

Dimensions are in inches unless otherwise indicated.

Style/ Model Number		Door Frame				Cover					Lever			Approx. Weight (lbs.)	
		Regular	High Neck	Std.	High Neck	Std.	High Neck	Qty.	Std.	High Neck	Qty.	Std.	High Neck	Approx. Weight (lbs.)	
A	B													H	A1
Mild Steel Body, Chrome-Plated Handle															
P1	P1H	5	8	2	4	6 1/4	8 1/2	9	2 1/2	4 1/2	4 1/2	6 1/2	1	4.5	6
P2	P2H	8	12	2	4	9	11 1/4	13	2 1/2	4 1/2	4 1/2	6 1/2	1	6.6	9.2
P3	P3H	13 3/4	19 3/4	2	4	15	17 1/4	20 3/4	2 1/2	4 1/2	4 1/2	6 1/2	2	13.2	17.6
P4		19 3/4	23 1/2	3	N/A	20 3/4	23 1/4	24 3/4	3 1/2	5 1/2	4 1/2	N/A	2	24.2	N/A
304 Stainless Steel Body, Chrome-Plated Handle															
Q1	Q1H	5	8	2	4	6 1/4	8 1/2	9	2 1/2	4 1/2	4 1/2	6 1/2	1	4.5	6
Q2	Q2H	8	12	2	4	9	11 1/4	13	2 1/2	4 1/2	4 1/2	6 1/2	1	6.6	9.2
Q3	Q3H	13 3/4	19 3/4	2	4	15	17 1/4	20 3/4	2 1/2	4 1/2	4 1/2	6 1/2	2	13.2	17.6
Q4		19 3/4	23 1/2	3	N/A	20 3/4	23 1/4	24 3/4	3 1/2	5 1/2	4 1/2	N/A	2	24.2	N/A
304 Stainless Steel Body, 304 Stainless Steel Handle															
R1	R1H	5	8	2	4	6 1/4	8 1/2	9	2 1/2	4 1/2	4 1/2	6 1/2	1	4.5	6
R2	R2H	8	12	2	4	9	11 1/4	13	2 1/2	4 1/2	4 1/2	6 1/2	1	6.6	9.2
R3	R3H	13 3/4	19 3/4	2	4	15	17 1/4	20 3/4	2 1/2	4 1/2	4 1/2	6 1/2	2	13.2	17.6
R4		19 3/4	23 1/2	3	N/A	20 3/4	23 1/4	24 3/4	3 1/2	5 1/2	4 1/2	N/A	2	24.2	N/A
316L Stainless Steel Body, Chrome-Plated Handle															
QS1	QS1H	5	8	2	4	6 1/4	8 1/2	9	2 1/2	4 1/2	4 1/2	6 1/2	1	4.5	6
QS2	QS2H	8	12	2	4	9	11 1/4	13	2 1/2	4 1/2	4 1/2	6 1/2	1	6.6	9.2
QS3	QS3H	13 3/4	19 3/4	2	4	15	17 1/4	20 3/4	2 1/2	4 1/2	4 1/2	6 1/2	2	13.2	17.6
316L Stainless Steel Body, 304 Stainless Steel Handle															
RS1	RS1H	5	8	2	4	6 1/4	8 1/2	9	2 1/2	4 1/2	4 1/2	6 1/2	1	4.5	6
RS2	RS2H	8	12	2	4	9	11 1/4	13	2 1/2	4 1/2	4 1/2	6 1/2	1	6.6	9.2
RS3	RS3H	13 3/4	19 3/4	2	4	15	17 1/4	20 3/4	2 1/2	4 1/2	4 1/2	6 1/2	2	13.2	17.6

Note: Dimensions are rounded to the nearest 1/4".

ONE-TOUCH INSPECTION DOOR Large Model Specifications

Material Thickness

Frame: 1/4"

Cover: 10 gauge

Component Composition

L Series	Options
Body material	Mild steel, Stainless steel*
Lever material	Mild steel, Stainless steel*
Body finish	Rust-proof, one-coat
Handle finish	Chrome-plated
Gasket options	Neoprene rubber, Silicon rubber

Gasket Options

Neoprene Rubber
Silicon Rubber (HT)

Temperature Range

-20° F to 160° F
-80° F to 550° F

*Call for availability.

Large ONE-TOUCH INSPECTION DOOR Specifications

All dimensions are in inches unless otherwise indicated.

Model Number	Door Opening		Cover			Lever	Quantity	Approximate Weight (lbs.)
	A	B	A1	B1	H	L1		
L1	29 1/2	19 3/4	34 1/4	24 1/2	3 1/4	5 1/4	5	80
L2	39 1/4	25 1/2	44	30 1/4	3 1/4	5 1/4	6	111
L3	47 1/4	31 1/2	52	36 1/4	3 1/4	5 1/4	8	140.8

Note: Dimensions rounded to the nearest 1/4".